

Installation Instruction

LORO Balcony Direct Drains

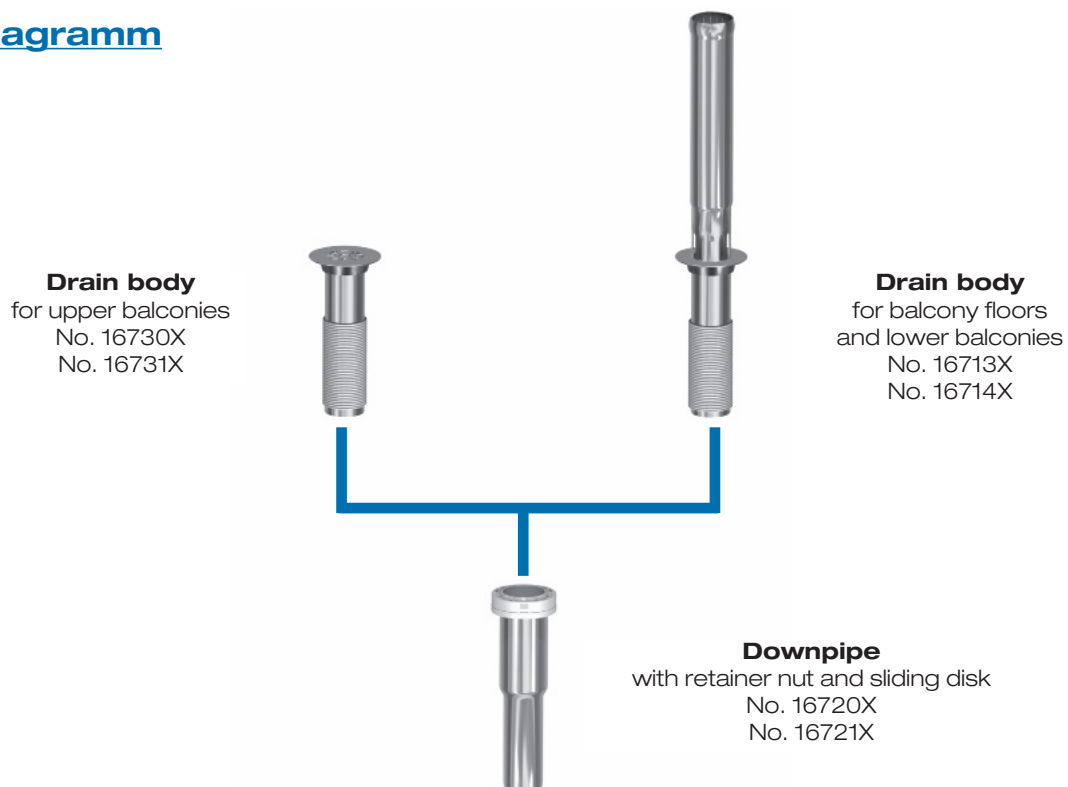
with supporting edge, thread and long socket, Series J

for renovation of balconies and walkways,
made of galvanized steel, additional inside coating,
DN 70 and DN 100

System Overview

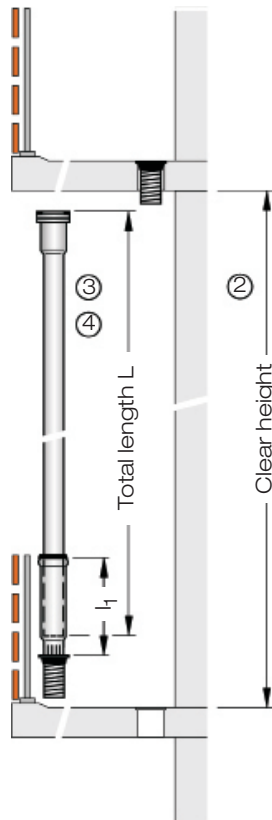
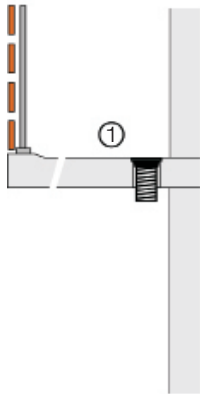
	for upper balconies		for balcony floors		for lower balconies	
	DN 70	DN 100	DN 70	DN 100	DN 70	DN 100
Ceiling thickness 40 - 170 mm	16738.070X	16738.100X	16728.070X	16728.100X	16748.070X	16748.100X
Ceiling thickness 150 - 250 mm	16739.070X	16739.100X	16729.070X	16729.100X	16749.070X	16749.100X

Setup Diagramm



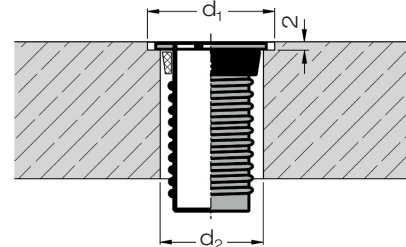
Trace heating

Lorowerk recommends to check all drains and pipes with regard to their frost-sensibility. Where necessary, these parts should be equipped with a trace heating (see DIN EN 12056, part 1, or DIN 1986, part 100).



Installation instruction

- 1) On the upper balcony, insert the drain body into the tapping hole (for diameter of the tapping hole - see table).



DN	d ₁	d ₂
70	190	90
100	220	120

- 2) Determine the clear height between the balcony or loggia slabs.
- 3) Determine the total downpipe length L:
total length L = clear height + pipe insertion t₁ - length of discharge section l₁

Pipe insertion t₁:

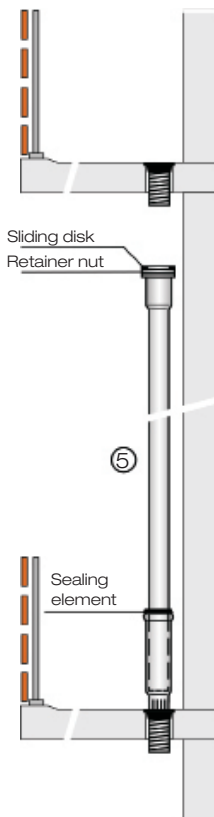
DN 70 = 55 mm, DN 100 = 70 mm

Length of discharge section l₁: 400 mm

(for ceiling thickness from 40 - 170 mm)

Length of discharge section l₁: 460 mm

(for ceiling thickness from 150 - 250 mm)



- 4) Shorten the downpipe to the calculated total downpipe length L. Position the sealing elements in the long socket and cover them with lubricant. Insert the downpipe into the long socket of the drain body.
- 5) Put the drain body with the downpipe into the tapping hole.
- 6) Pull the downpipe upwards out of the long socket and screw it to the thread of the upper drain body using the retainer nut and sliding disk. Fasten it with help of the hook spanner, Art.-No. 09068.000X. Pay attention to the correct position of the sliding disk. That way the downpipe is fastened. In the case of several balconies, proceed in the same way.
- 7) For lower balconies, screw the short downpipe onto the thread of the drain body and fasten it with help of the hook spanner.

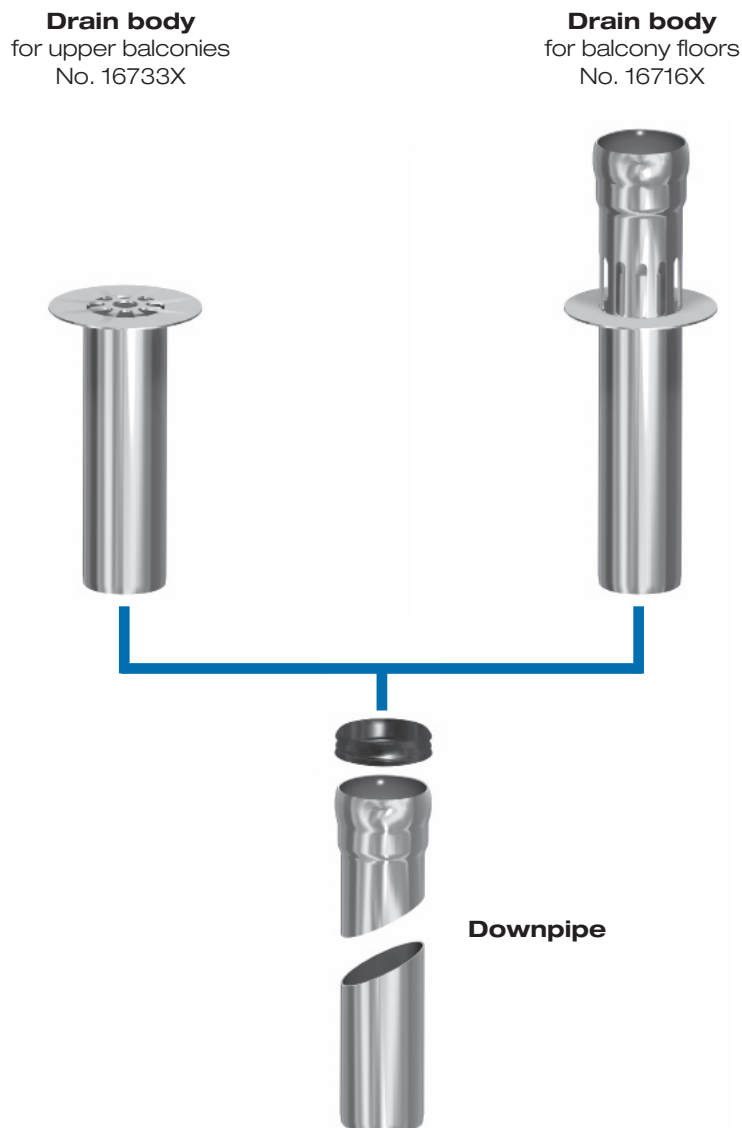
Installation Instruction

LORO Balcony Direct Drains

with supporting edge, without thread and long socket, Series J

for renovation of balconies and walkways,
made of galvanized steel, additional inside coating,
DN 50 and DN 70

Setup Diagramm

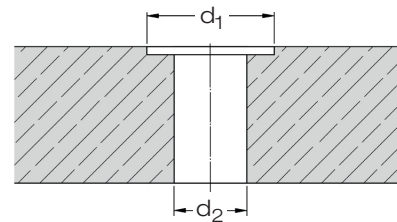
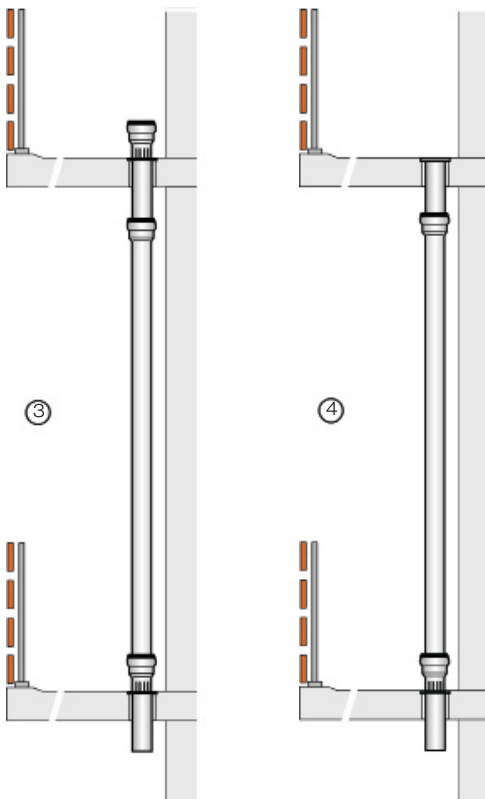
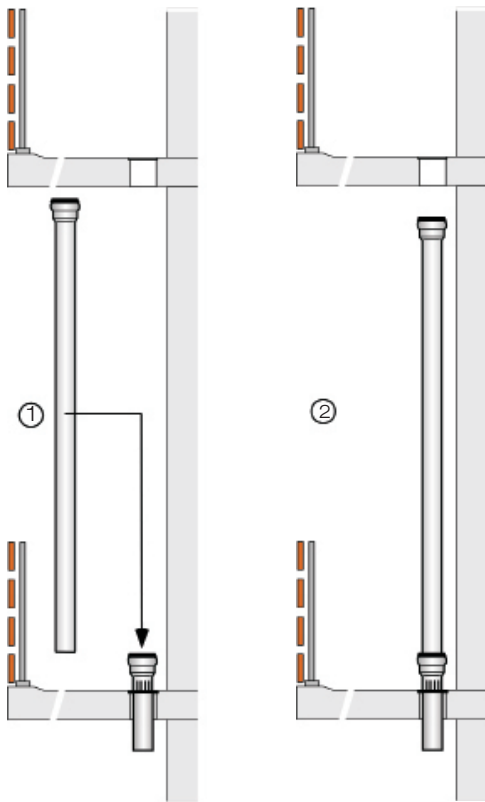


Trace heating

Lorowerk recommends to check all drains and pipes with regard to their frost-sensibility. Where necessary, these parts should be equipped with a trace heating (see DIN EN 12056, part 1, or DIN 1986, part 100).

Installation instruction:

- 1) Start the installation at the bottom and continue upwards. In the case of balcony floors, position the drain body in the tapping hole (diameter of tapping hole - see table). Insert the sealing element into the socket and cover with lubricant. Determine the downpipe length on site. Insert the downpipe into the socket of the drain body.
- 2) Insert the sealing element into the socket of the downpipe and cover with lubricant. The existing connection edge of the drain has to be adjusted according to the general installation instruction of the manufacturer of the alternative liquid plastic sealing.
- 3) On the upper balcony floors, put the drain body into the tapping hole (diameter of tapping hole - see table). Insert the drain body into the socket of the downpipe. Proceed in the same way with several balconies. An additional fastening of the pipe is not required if the drains are installed impeccably.
- 4) On the upper balcony, put the drain body into the tapping hole (diameter of tapping hole - see table) and insert into the socket of the downpipe.

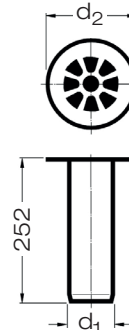


Recess Dimensions

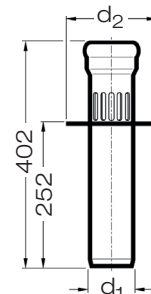
Tapping hole

DN	d_1	d_2
50	160	72
70	190	92

Drain body for upper balcony



Drain body for balconies



DN	d_1	d_2
50	53	152
70	73	183